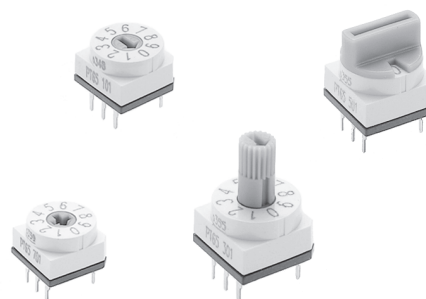


# PT65 SERIES ROTARY DIP SWITCHES

## FEATURES

- 3 + 3 terminal layout.
- Completely sealed for process compatibility.
- 4, 6, 8, 10 or 16 positions w/extensive codings.
- Precision designed detent action.
- Compact size.
- High reliability & long life.
- Clockwise or counterclockwise settable.
- Solder coated terminals.



## GENERAL SPECIFICATIONS

### ELECTRICALS

Operating voltage	24 VDC max.
Contact rating, static	400 mA max.
Contact rating, dynamic	150 mA max.
Switching capacity	1.5 VA max.
Initial contact resistance	< 80 milliohms
Insulation resistance	> 100 megohms

### MECHANICALS, THERMALS

Torque	7.0 inch-oz. min. (0.7 Ncm min.)
Expected life	10,000 switching operations
Contact force	15 grams min.
Operating temperature range	-20°C to 70°C

### SOLDERING RECOMMENDATIONS

Hand soldering	340°C max. for 2 seconds max. (40 watt iron max.)
Wave soldering	260°C max. for 10 seconds max.
Solvent washing	Freons or alcohol. (Do not use chlorinated solvents)
Aqueous cleaning	Deionized water preferred

## MATERIALS

Base	UL94V-O, high temperature thermoplastic
Cover	UL94V-O, high temperature thermoplastic
Actuator	POM
Contacts	Gold over nickel plated bronze
Terminals	Gold over nickel plated bronze
Terminal sealing	Molded-in
Actuator seal	'O'-ring

SPECIFICATIONS SUBJECT TO CHANGE WITHOUT NOTICE.

### CODE 05 GRAY CODE

#### 16 Positions

Dial No.	1	2	4	8
0				
1	●			
2	●	●		
3			●	
4		●	●	
5	●	●	●	
6	●		●	
7			●	
8			●	●
9	●		●	●
A	●	●	●	●
B		●	●	●
C		●		●
D	●	●		●
E	●			●
F				●

## CODES

NOTE: For each dial position in tables, Common terminal(s) (C) are connected to terminal number(s) indicated - i.e. - none or combinations of 1, 2, 3, 4 or 8. Each model in this series has 2 Common terminals except codes 11 and 24 which have one.

### CODE 11 ON/OFF

#### 4 Positions

Dial No.	1
0	
1	●
0	
1	●

### CODE 12 BCD

#### 4 Positions

Dial No.	1	2
0		
1	●	
2		●
3	●	●

### CODE 21 DECIMAL

#### 4 Positions

Dial No.	1	2	3	4
1	●			
2		●		
3			●	
0				●

### CODES 24 & 25 BCD

#### 6 Positions

Dial No.	1	2	4
0			
1	●		
2		●	
3	●	●	
4			●
5	●		●

### CODE 26 OCTAL

#### 8 Positions

Dial No.	1	2	4
0			
1	●		
2		●	
3	●	●	
4			●
5	●		●
6		●	●
7	●	●	●

### CODE 27 OCTAL COMPLEMENT

#### 8 Positions

Dial No.	1	2	4	8
0	●	●	●	●
1		●	●	●
2	●		●	●
3		●		●
4	●	●		●
5		●		●
6	●			●
7				●

### BINARY CODED DECIMAL (01)

#### 10 Positions

Dial No.	1	2	4	8
0				
1	●			
2		●		
3	●	●		
4			●	
5	●		●	
6		●	●	
7	●	●	●	
8				●
9	●			●

### COMP. OF BINARY CODED DECIMAL (02)

#### 10 Positions

Dial No.	1	2	4	8
0	●	●	●	●
1		●	●	●
2	●		●	●
3		●		●
4	●	●		●
5		●		●
6	●		●	●
7		●	●	●
8	●	●	●	
9		●	●	

### BINARY CODED HEXADECIMAL (03)

#### 16 Positions

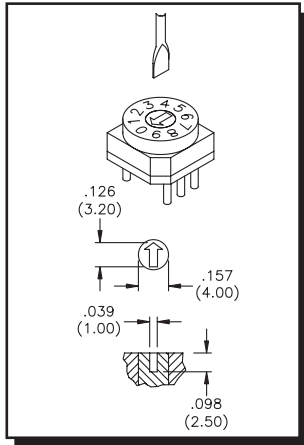
Dial No.	1	2	4	8
0				
1	●			
2		●		
3	●	●		
4			●	
5	●		●	
6		●	●	
7	●	●	●	
8				●
9	●			●
A		●	●	●
B	●	●	●	●
C			●	●
D	●		●	●
E		●	●	●
F	●	●	●	●

### COMP. OF BINARY CODED HEXADEC. (06)

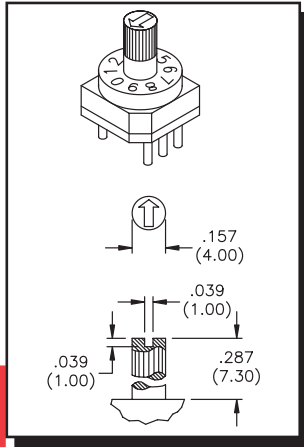
#### 16 Positions

Dial No.	1	2	4	8
0	●	●	●	●
1		●	●	●
2	●		●	●
3		●		●
4	●	●		●
5		●		●
6	●			●
7		●	●	●
8	●	●	●	
9		●	●	
A	●		●	
B		●	●	
C	●	●		
D		●		
E	●			
F				

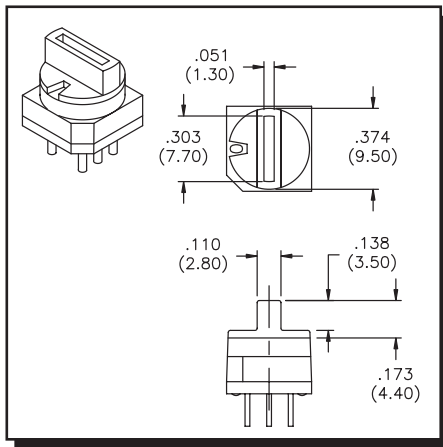
## PT65 SERIES



Arrow shaped slot Actuator Models		Complete Model No. by Terminal Style		
		Straight	Right Angle	
Code (see truth tables)	Positions		Pitch	
		.100" (2,54)	.200"(5,08)	
Binary Coded Decimal	10	PT65101	PT65101L254	PT65101L508
Comp. of Binary Coded Dec.	10	PT65102	PT65102L254	PT65102L508
Binary Coded Hexadecimal	16	PT65103	PT65103L254	PT65103L508
Code 05, Gray Code	16	PT65105	PT65105L254	PT65105L508
Comp. of Binary Coded Hex.	16	PT65106	PT65106L254	PT65106L508
Code 11, ON/OFF	4	PT65111	PT65111L254	PT65111L508
Code 12, Binary Coded Dec.	4	PT65112	PT65112L254	PT65112L508
Code 21, Decimal	4	PT65121	PT65121L254	PT65121L508
Code 24, Binary Coded Dec.	6	PT65124	PT65124L254	PT65124L508
Code 25, Binary Coded Dec.	6	PT65125	PT65125L254	PT65125L508
Code 26, Octal	8	PT65126	PT65126L254	PT65126L508
Code 27, Octal complement	8	PT65127	PT65127L254	PT65127L508



Spindle Actuator Models		Complete Model No. by Terminal Style		
		Straight	Right Angle	
Code (see truth tables)	Positions		Pitch	
		.100" (2,54)	.200"(5,08)	
Binary Coded Decimal	10	PT65301	PT65301L254	PT65301L508
Comp. of Binary Coded Dec.	10	PT65302	PT65302L254	PT65302L508
Binary Coded Hexadecimal	16	PT65303	PT65303L254	PT65303L508
Code 05, Gray Code	16	PT65305	PT65305L254	PT65305L508
Comp. of Binary Coded Hex.	16	PT65306	PT65306L254	PT65306L508
Code 11, ON/OFF	4	PT65311	PT65311L254	PT65311L508
Code 12, Binary Coded Dec.	4	PT65312	PT65312L254	PT65312L508
Code 21, Decimal	4	PT65321	PT65321L254	PT65321L508
Code 24, Binary Coded Dec.	6	PT65324	PT65324L254	PT65324L508
Code 25, Binary Coded Dec.	6	PT65325	PT65325L254	PT65325L508
Code 26, Octal	8	PT65326	PT65326L254	PT65326L508
Code 27, Octal complement	8	PT65327	PT65327L254	PT65327L508



Segment Wheel Actuator Models		Complete Model No. by Terminal Style		
		Straight	Right Angle	
Code (see truth tables)	Positions		Pitch	
		.100" (2,54)	.200"(5,08)	
Binary Coded Decimal	10	PT65501	PT65501L254	PT65501L508
Comp. of Binary Coded Dec.	10	PT65502	PT65502L254	PT65502L508
Binary Coded Hexadecimal	16	PT65503	PT65503L254	PT65503L508
Code 05, Gray Code	16	PT65505	PT65505L254	PT65505L508
Comp. of Binary Coded Hex.	16	PT65506	PT65506L254	PT65506L508
Code 11, ON/OFF	4	PT65511	PT65511L254	PT65511L508
Code 12, Binary Coded Dec.	4	PT65512	PT65512L254	PT65512L508
Code 21, Decimal	4	PT65521	PT65521L254	PT65521L508
Code 24, Binary Coded Dec.	6	PT65524	PT65524L254	PT65524L508
Code 25, Binary Coded Dec.	6	PT65525	PT65525L254	PT65525L508
Code 26, Octal	8	PT65526	PT65526L254	PT65526L508
Code 27, Octal complement	8	PT65527	PT65527L254	PT65527L508

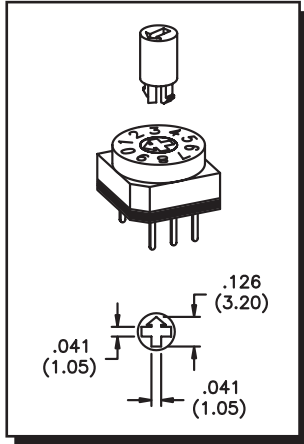
All models listed on this page have 2 Common terminals except Code 11 and Code 24 which have one.

Other codes are available - consult factory.

SPECIFICATIONS SUBJECT TO CHANGE WITHOUT NOTICE.



## PT65 SERIES



Cross shaped slot Actuator Models		Complete Model No. by Terminal Style		
		Straight	Right Angle	
Code (see truth tables)	Positions		Pitch	
		.100" (2,54)	.200" (5,08)	
Binary Coded Decimal	10	PT65701	PT65701L254	PT65701L508
Comp. of Binary Coded Dec.	10	PT65702	PT65702L254	PT65702L508
Binary Coded Hexadecimal	16	PT65703	PT65703L254	PT65703L508
Code 05, Gray Code	16	PT65705	PT65705L254	PT65705L508
Comp. of Binary Coded Hex.	16	PT65706	PT65706L254	PT65706L508
Code 11, ON/OFF	4	PT65711	PT65711L254	PT65711L508
Code 12, Hexadecimal	4	PT65712	PT65712L254	PT65712L508
Code 21, Decimal	4	PT65721	PT65721L254	PT65721L508
Code 24, Binary Coded Dec.	6	PT65724	PT65724L254	PT65724L508
Code 25, Binary Coded Dec.	6	PT65725	PT65725L254	PT65725L508
Code 26, Octal	8	PT65726	PT65726L254	PT65726L508
Code 27, Octal complement	8	PT65727	PT65727L254	PT65727L508

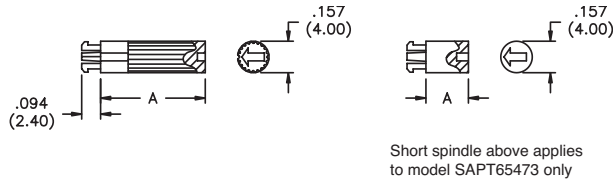
SPECIFICATIONS SUBJECT TO CHANGE WITHOUT NOTICE.

**Operating Elements** snap-fit securely into PT65 (& P60A) Series switch models with cross shaped slot actuators. Order separately by Model number shown below and indicate color.



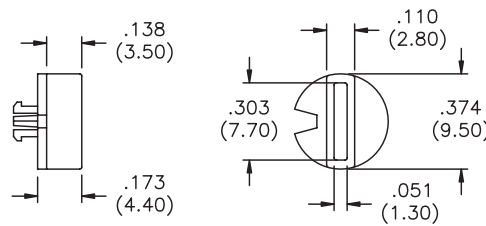
**Spindle** colors: red, gray or black

Model No.	Dim. A
SAPT65473	.287
SAPT654116	.457
SAPT654133	.524



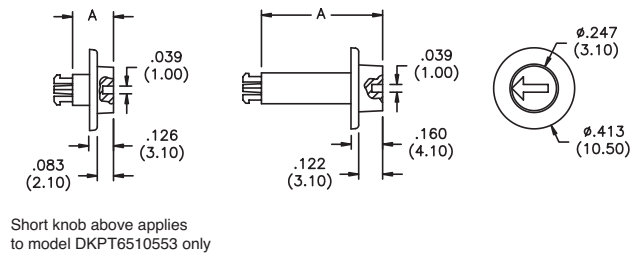
**Segment wheel**  
colors: yellow, red, green, blue, gray or black

Model No.
SRPT659544



**Knob** color: red

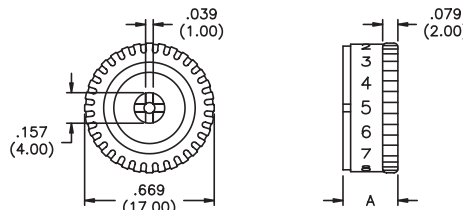
Model No.	Dim. A
DKPT6510553	.209
DKPT65105157	.618
DKPT65105291	1.146
DKPT65105344	1.354



**Wheel** color: white

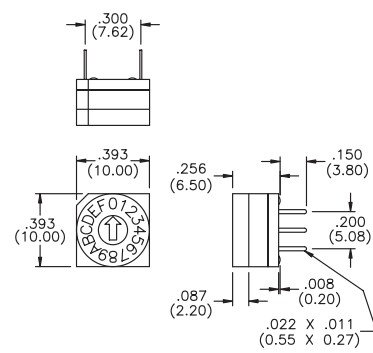
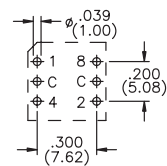
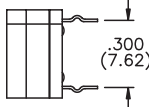
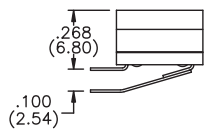
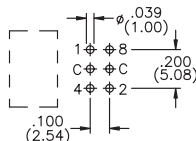
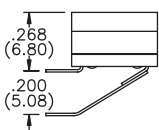
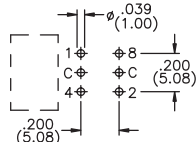
Model No.	Dim. A
DRPT651772	.283

consult factory for printing  
(fits PT65 models only)



G

## PT65 SERIES

<b>MECHANICAL OUTLINES</b>	
<b>Terminal option suffix*:</b>	<b>Mtg. hole pattern:</b>
<p><b>NONE</b> Straight terminals</p> 	
<p><b>V</b> Crimped terminals</p> 	
<p><b>L254</b> Right angle terminals</p> 	
<p><b>L508</b> Right angle terminals</p> 	

\* 'None' indicates no option suffix is required.

### PT65 SERIES STANDARD OPTIONS :

#### Actuators

- 1 Arrow shaped slot
- 3 Spindle
- 5 Segment wheel
- 7 Cross shaped slot

#### Codes

- 01 BCD
  - 02 BCD complement
  - 03 Hexadecimal
  - 06 Hexadecimal Comp.
- See other available codes on page G17

#### Terminals

- None Straight
- V Crimped
- L254 Rt. angle 2.54 (.100")
- L508 Rt. angle 5.08 (.200")

#### ORDER GUIDE:

Make selections from the above table in sequence to specify a complete model number.

Note that 'None' indicates that no option suffix is required.

Example;

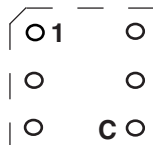
**PT65101V**  
Series     Actuator     Terminals  
Code

SPECIFICATIONS SUBJECT TO CHANGE WITHOUT NOTICE.

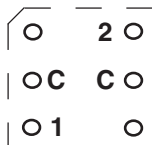
### TERMINAL IDENTIFICATION FOR ALL MODELS

(viewed from top of switch inserted into printed circuit board).

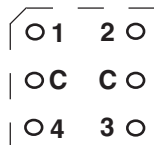
Refer to TRUTH TABLES on page G17.



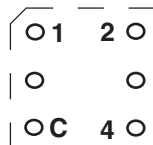
Code 11



Code 12



Code 21



Code 24



Codes 25 & 26



Code 27 and  
10 & 16 pos. models